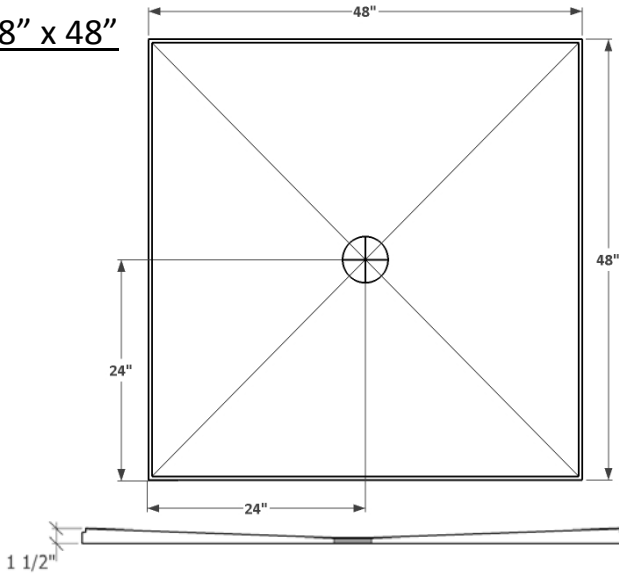


Notes

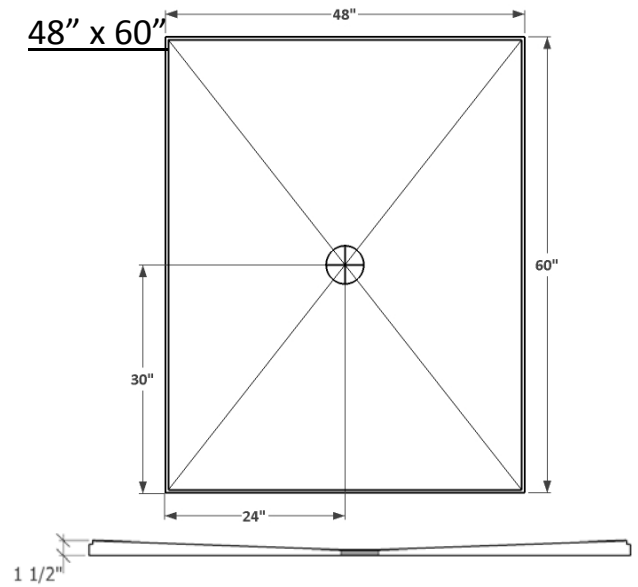
1. Installation to be completed in accordance with manufacture specifications.
2. Drawings not to scale.
3. Sloped at 1/4" per foot to the drain.



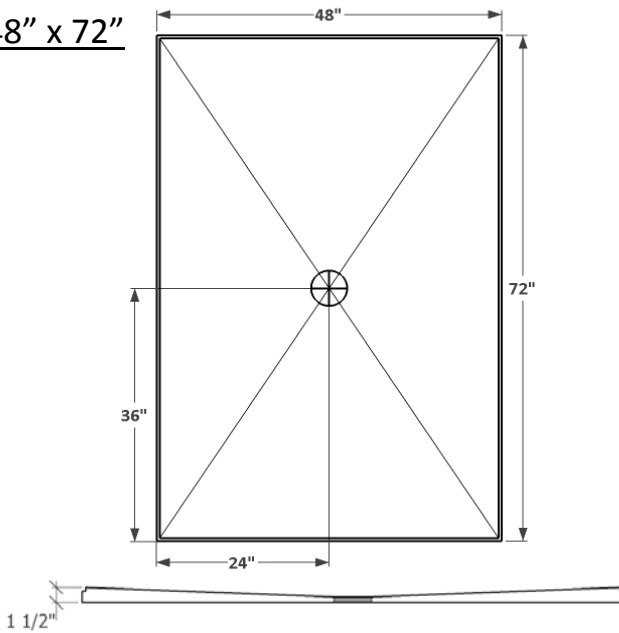
48" x 48"



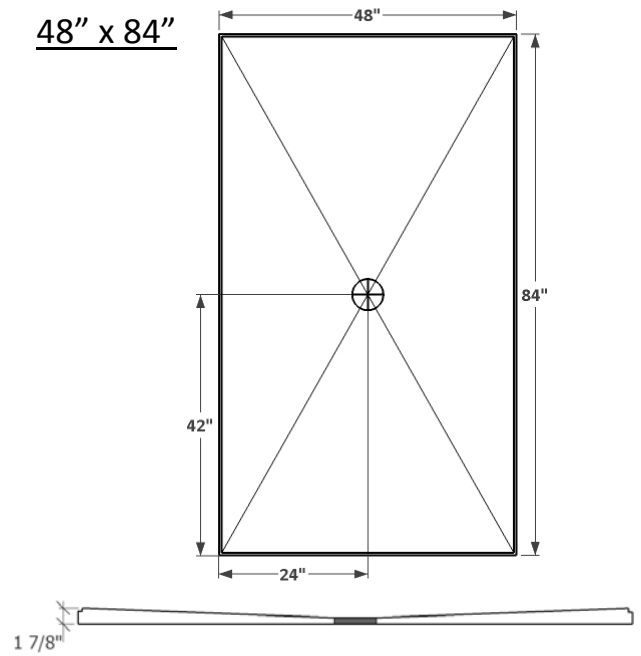
48" x 60"



48" x 72"



48" x 84"

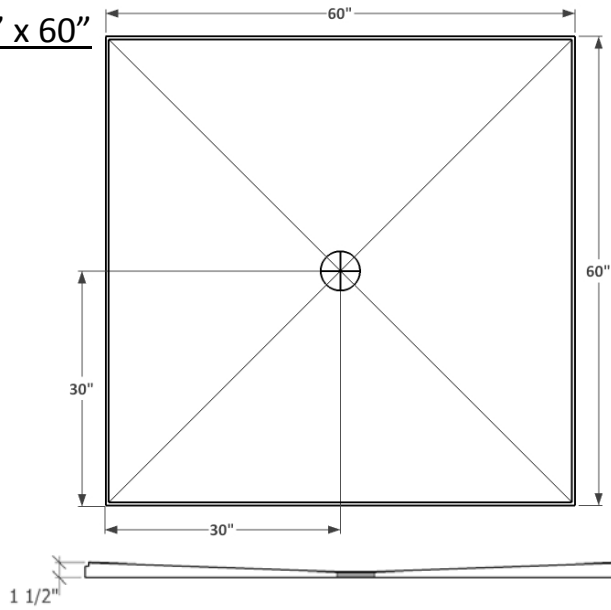


Notes

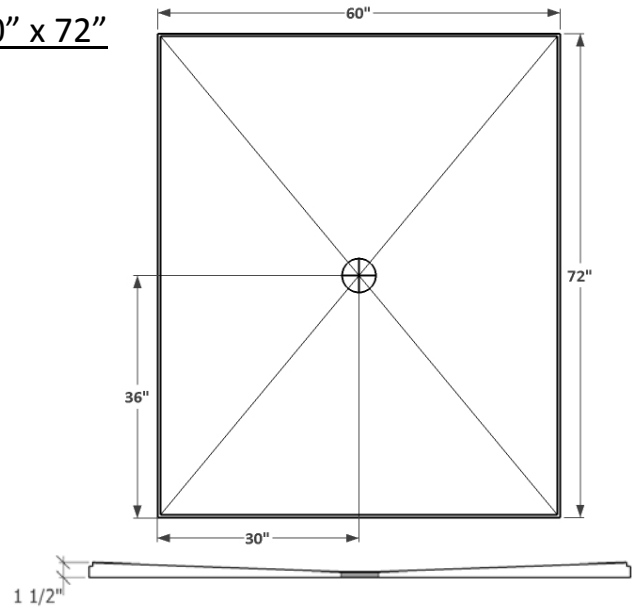
1. Installation to be completed in accordance with manufacture specifications.
2. Drawings not to scale.
3. Sloped at 1/4" per foot to the drain.



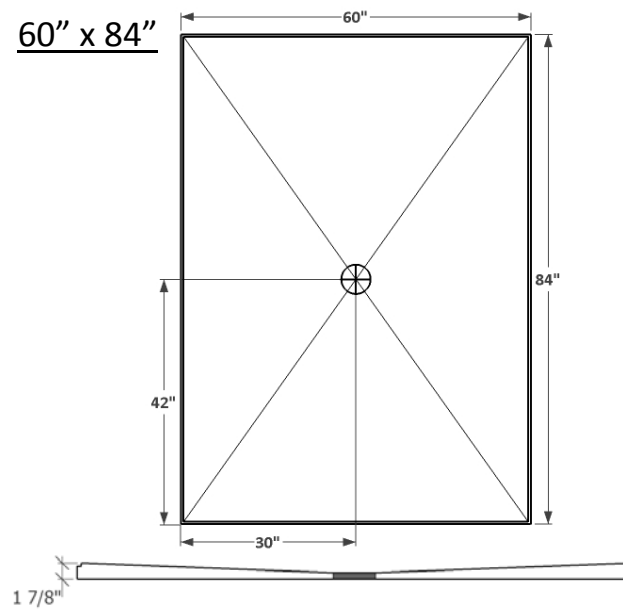
60" x 60"



60" x 72"



60" x 84"

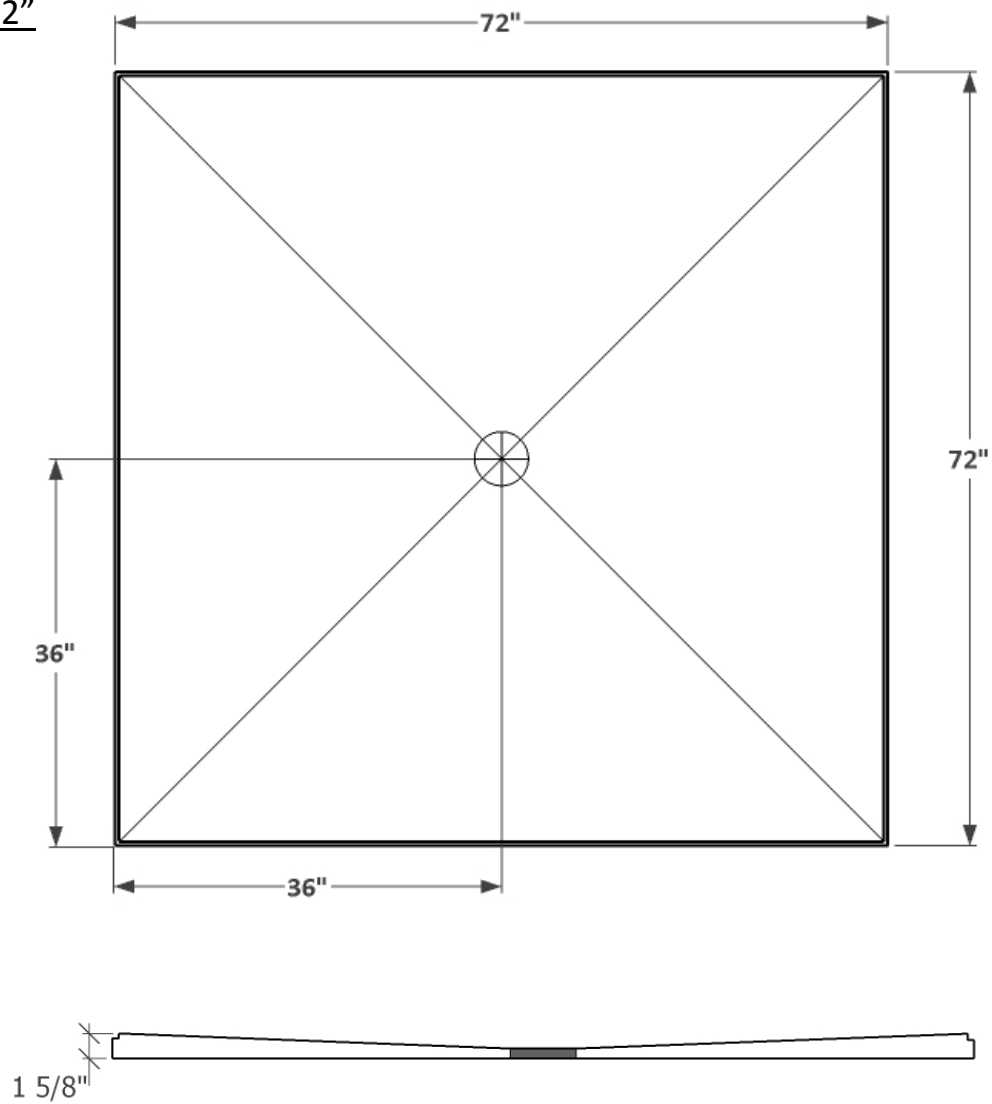


Notes

1. Installation to be completed in accordance with manufacture specifications.
2. Drawings not to scale.
3. Sloped at 1/4" per foot to the drain.



72" x 72"

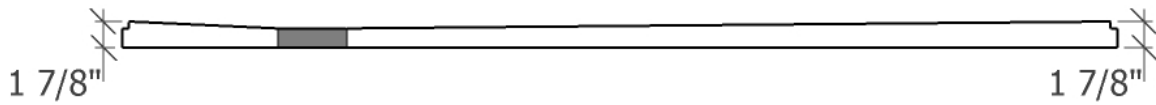
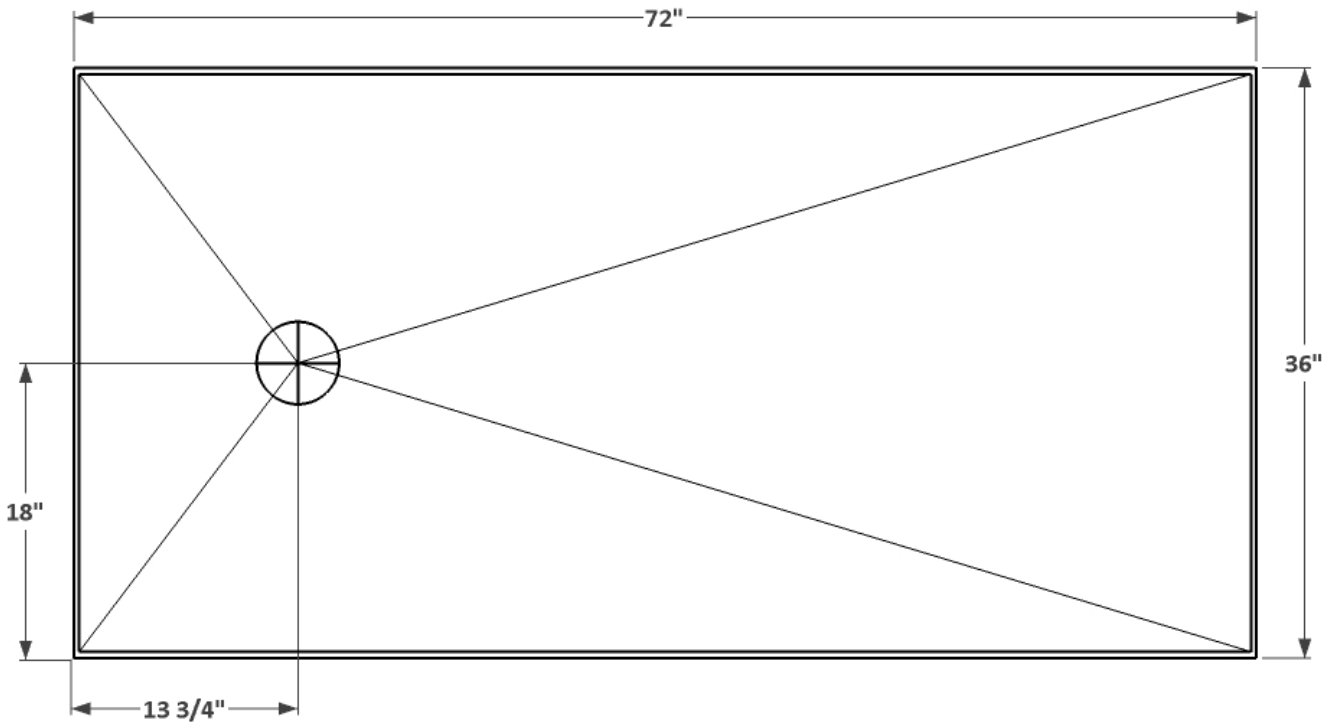


Notes

1. Installation to be completed in accordance with manufacture specifications.
2. Drawings not to scale.
3. Sloped at 1/4" per foot to the drain.



36" x 72"

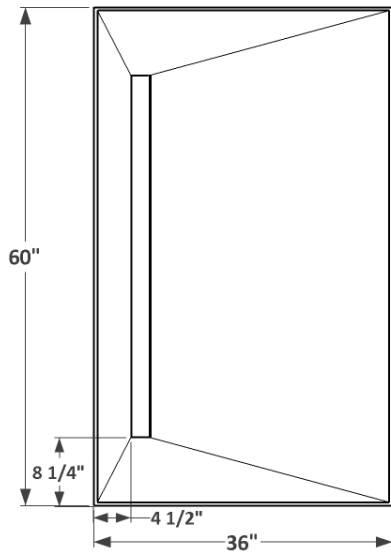


Notes

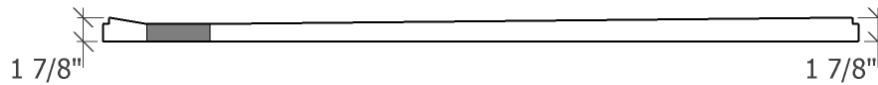
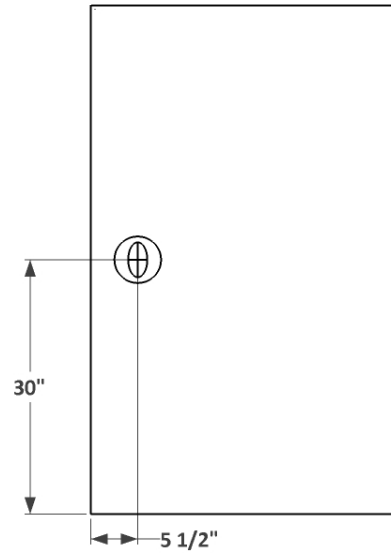
1. Installation to be completed in accordance with manufacture specifications.
2. Drawings not to scale.
3. Sloped at 1/4" per foot to the drain.



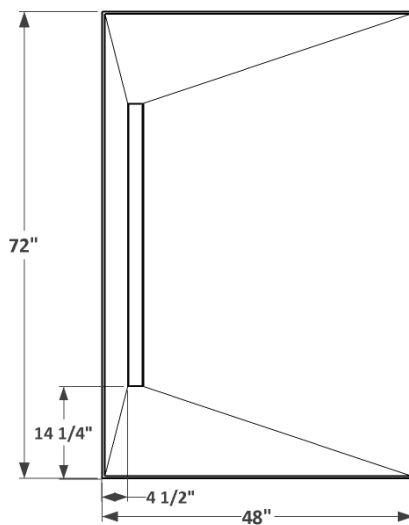
36" x 60"
Top View



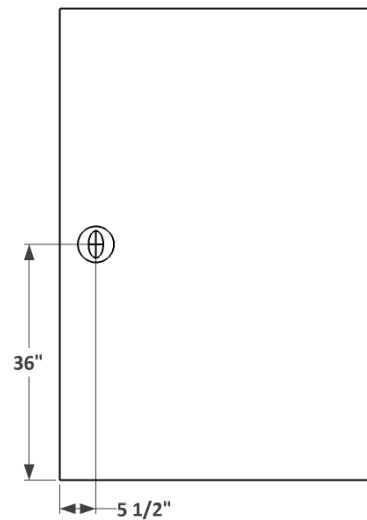
36" x 60"
Bottom View



48" x 72"
Top View



48" x 72"
Bottom View

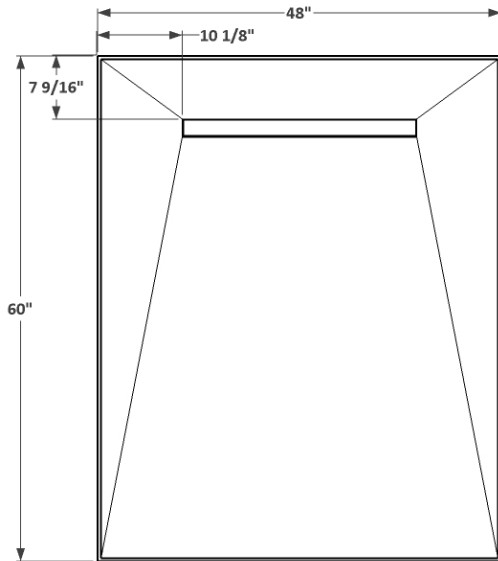


Notes

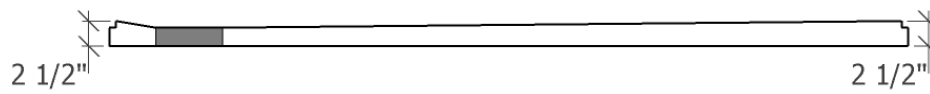
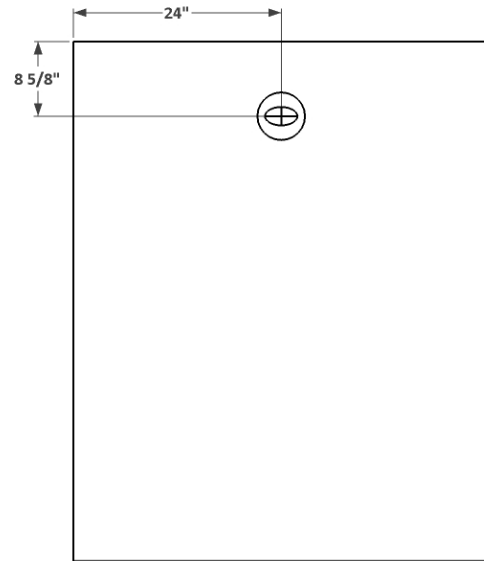
1. Installation to be completed in accordance with manufacture specifications.
2. Drawings not to scale.
3. Sloped at 1/4" per foot to the drain.



48" x 60"
Top View



48" x 60"
Bottom View

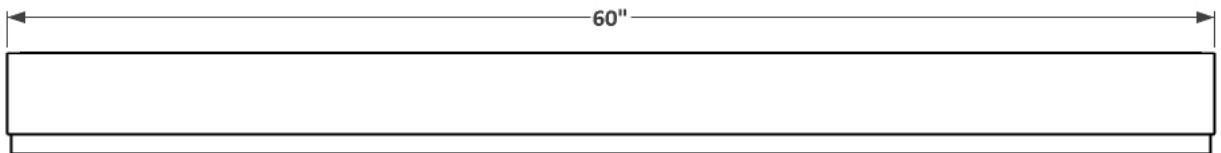
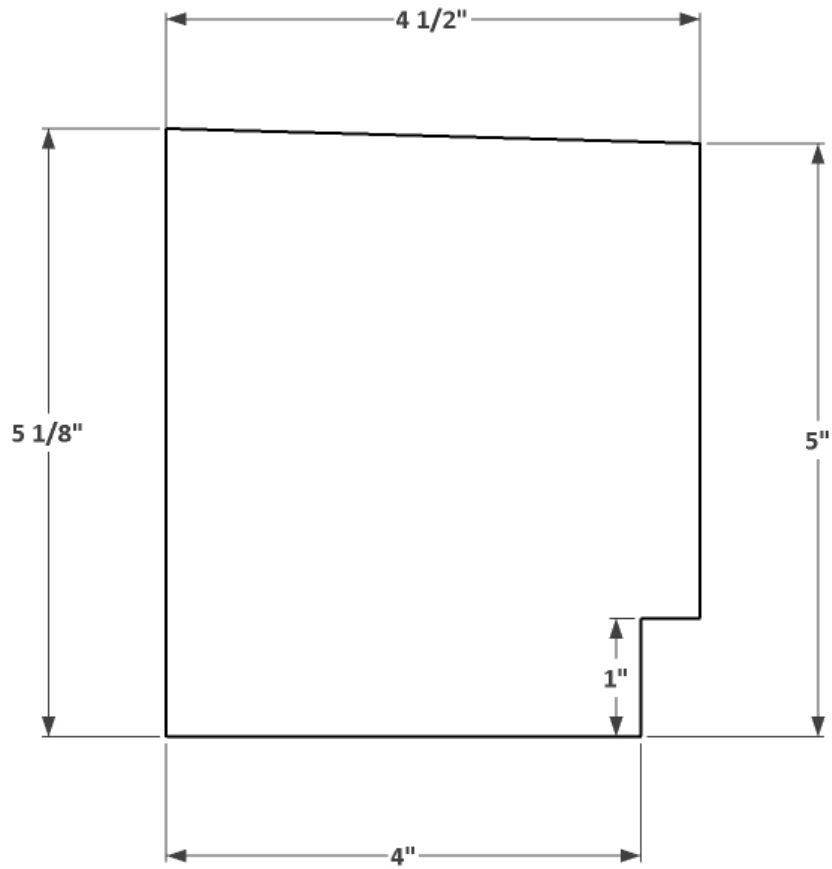


Notes

- 1. Installation to be completed in accordance with manufacture specifications.
- 2. Drawings not to scale.
- 3. Sloped at 1/4" per foot to the drain.



Standard
Curb

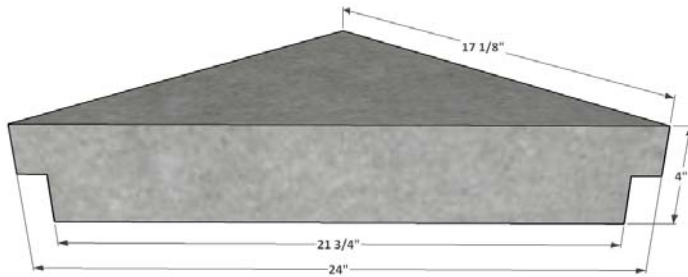


Notes

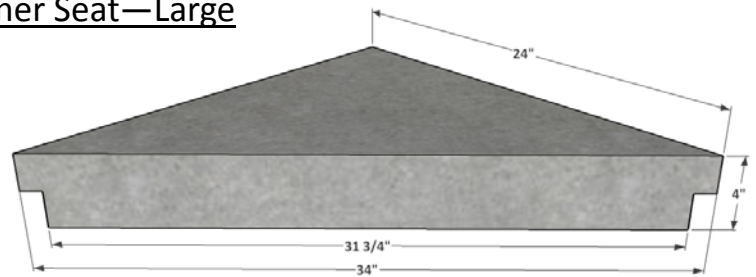
1. Installation to be completed in accordance with manufacture specifications.
2. Drawings not to scale.



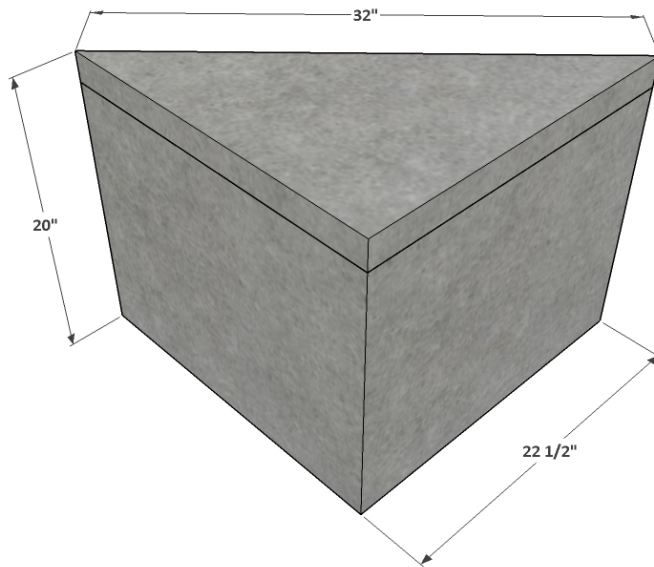
Corner Seat—Medium



Corner Seat—Large

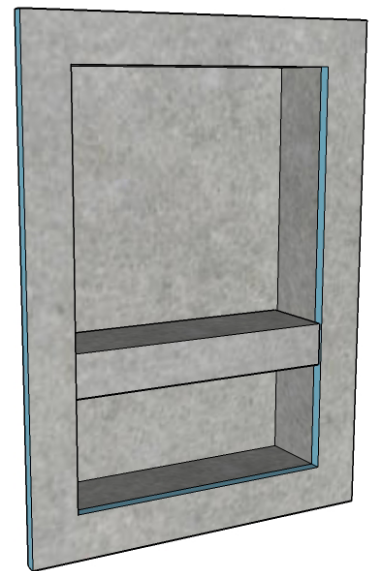
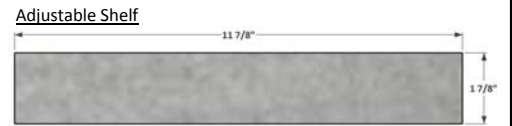
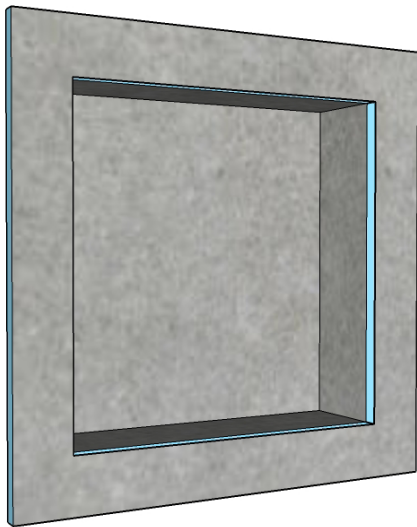
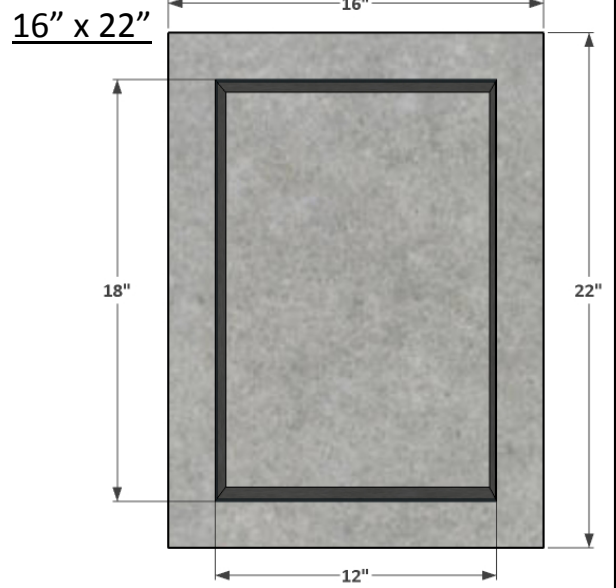
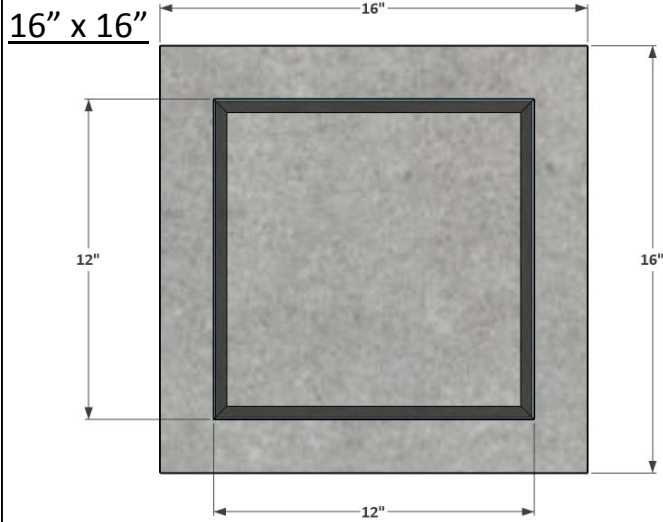


Neo-Angle Bench



Notes

1. Installation to be completed in accordance with manufacture specifications.
2. Drawings not to scale.

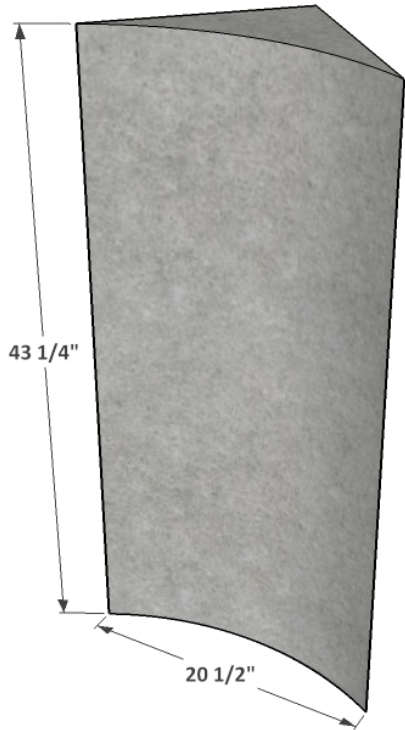


Notes

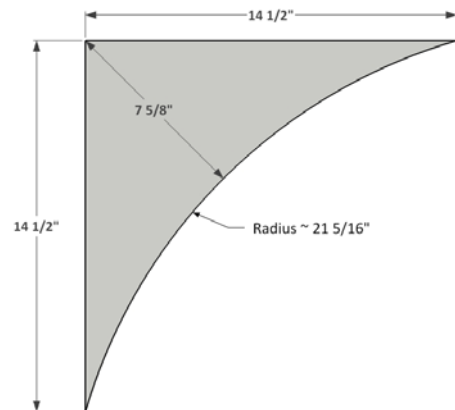
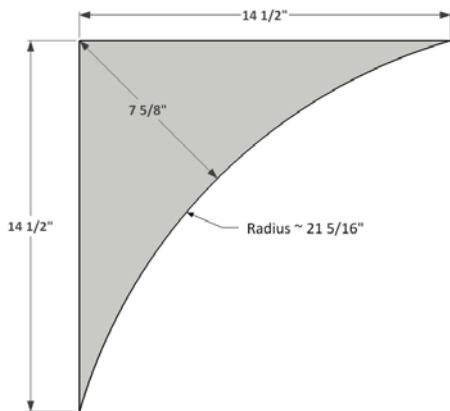
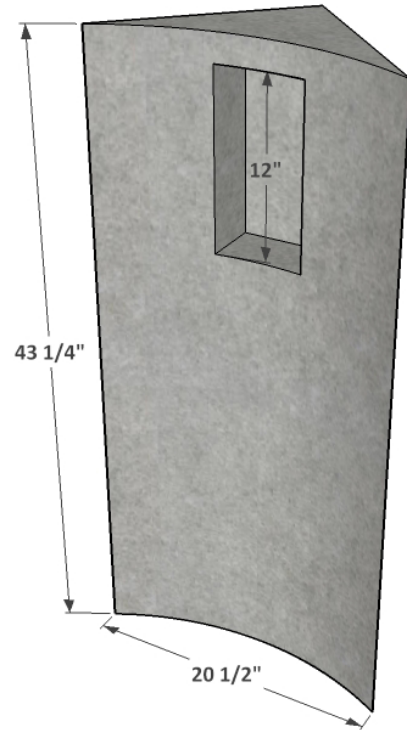
1. Installation to be completed in accordance with manufacture specifications.
2. Drawings not to scale.



MS-RC



MS-RC NICHE

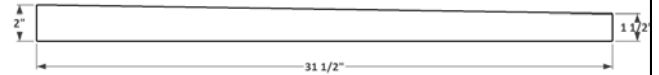
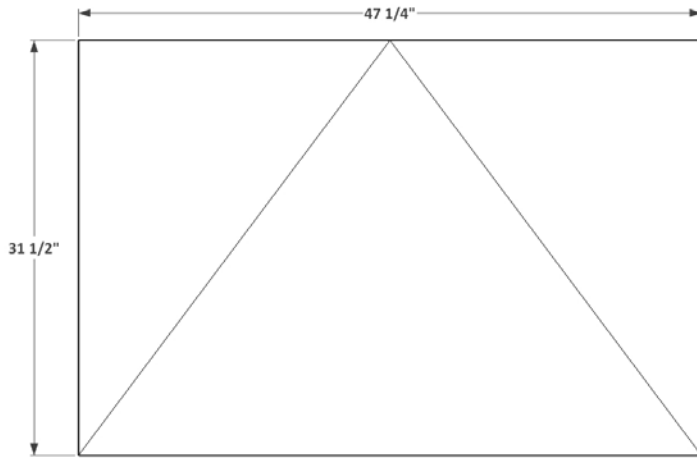


Notes

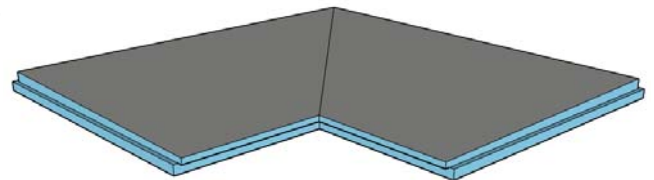
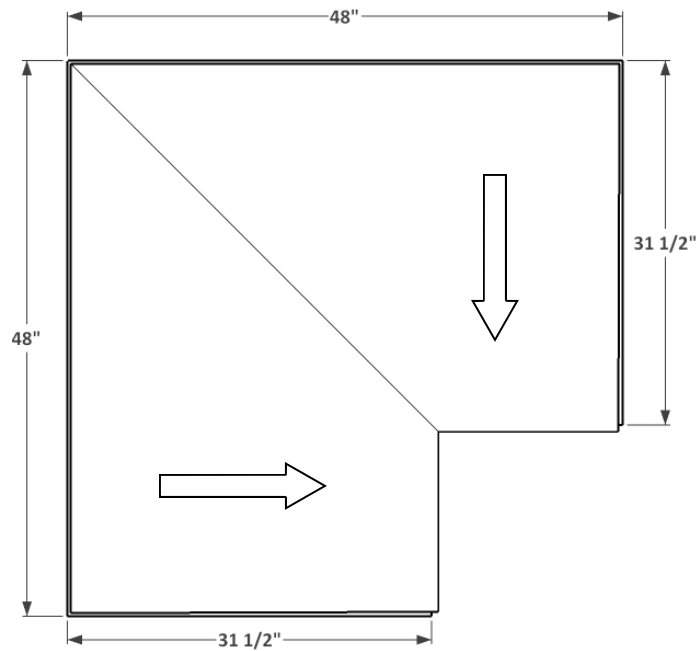
1. Installation to be completed in accordance with manufacture specifications.
2. Drawings not to scale.



48" x 32"



48" x 48"

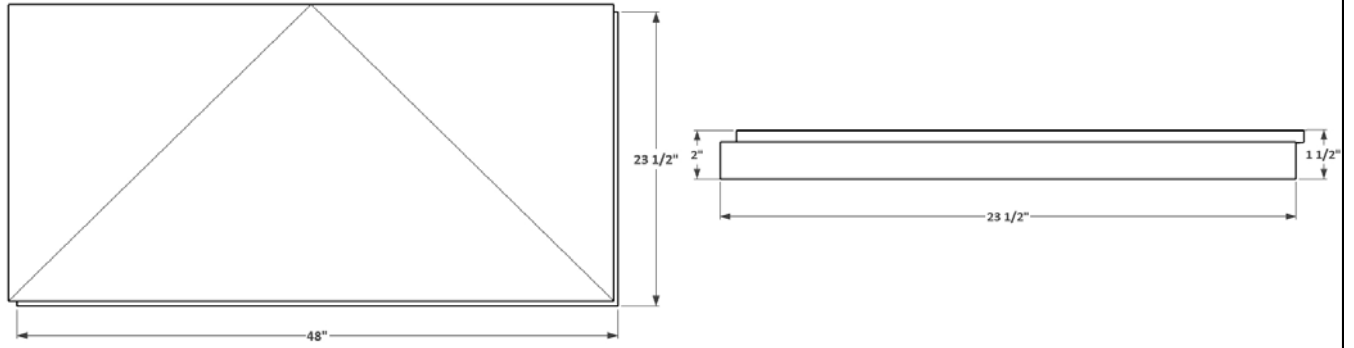


Notes

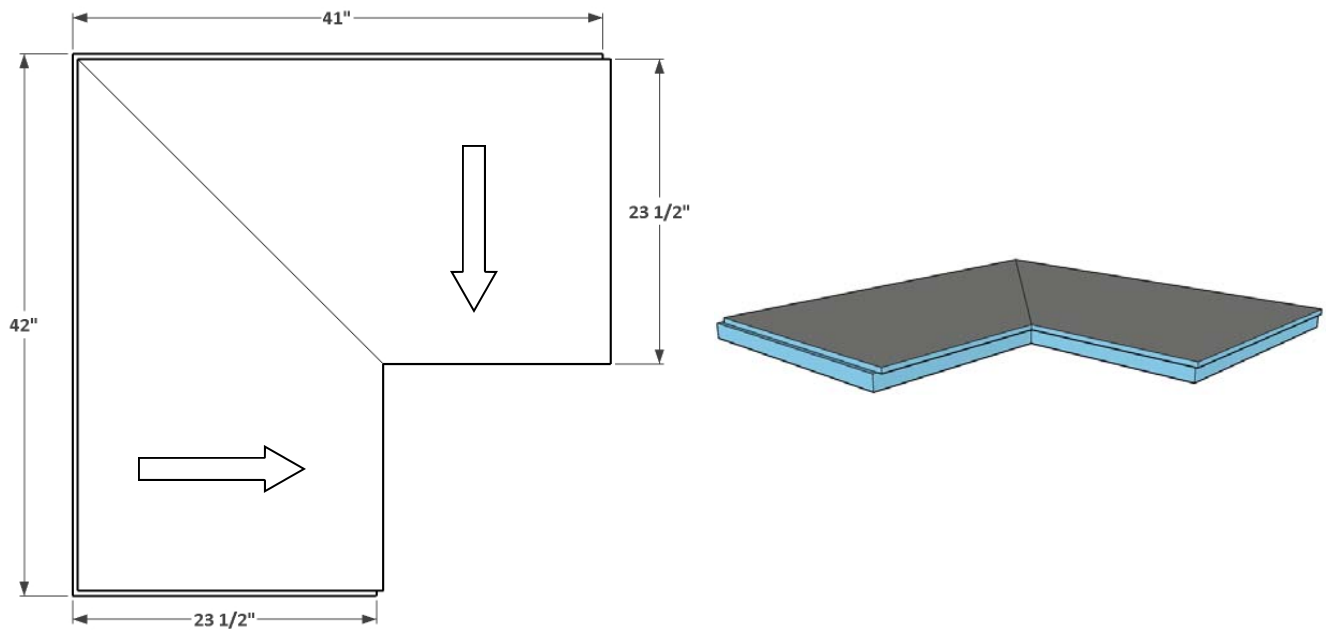
1. Installation to be completed in accordance with manufacture specifications.
2. Drawings not to scale.
3. Sloped at 1/4" per foot.



48" x 24"



42" x 42"

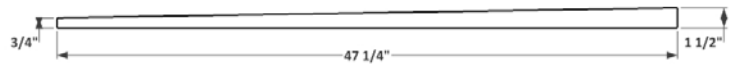
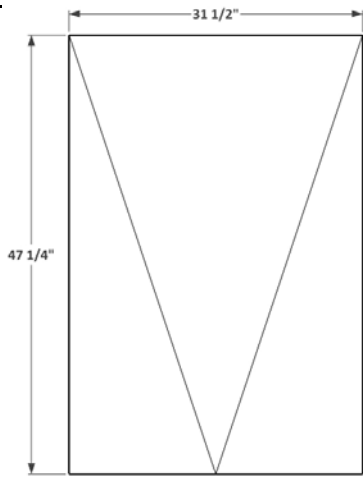


Notes

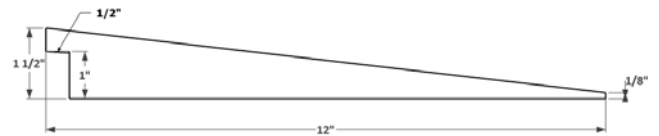
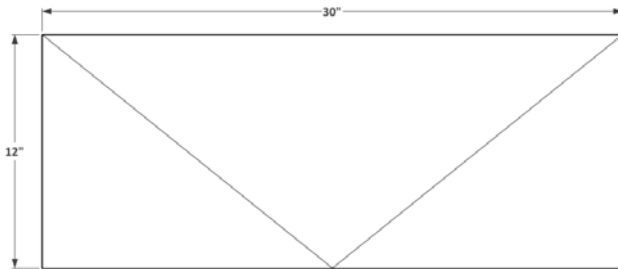
1. Installation to be completed in accordance with manufacture specifications.
2. Drawings not to scale.
3. Sloped at 1/4" per foot.



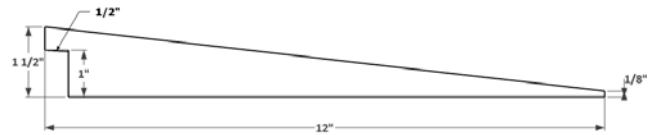
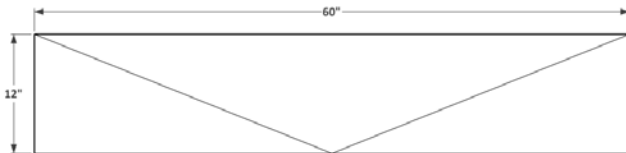
32" x 48"



12" x 30"



12" x 60"



Notes

1. Installation to be completed in accordance with manufacture specifications.
2. Drawings not to scale.